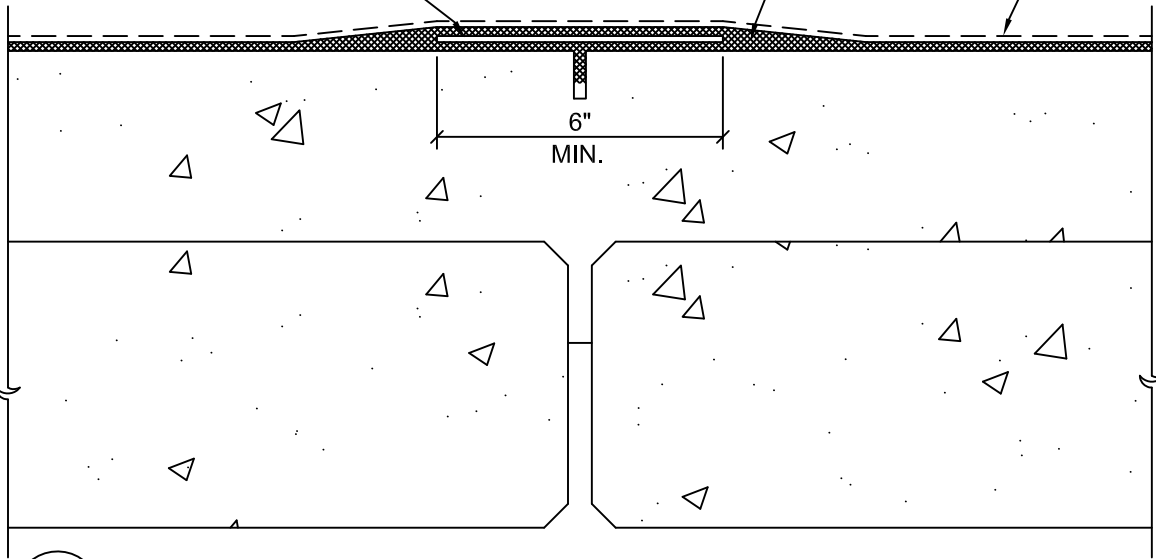


FLEX-FLASH UN,
FLEX-FLASH F
OR OTHER
APPROVED
REINFORCEMENT

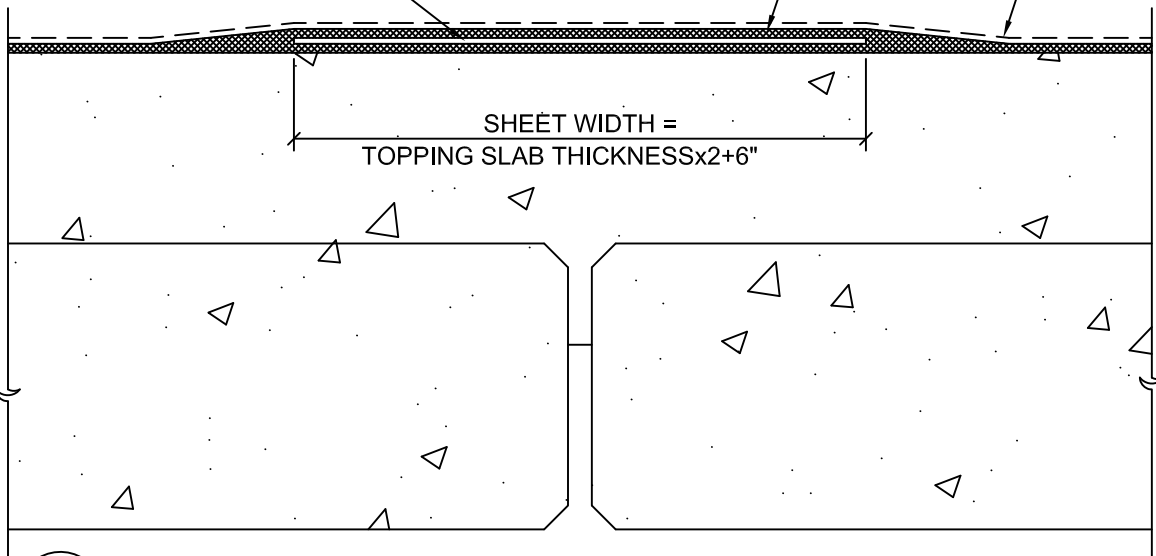
MONOLITHIC MEMBRANE
6125 (180 mil STD. ASMBLY.)
HYDROFLEX 10 OR OTHER
APPROVED PROTECTION



A SAW CUT TOPPING SLAB 1/4 SLAB THICKNESS

FLEX-FLASH UN,
FLEX-FLASH F
OR OTHER
APPROVED
REINFORCEMENT

MONOLITHIC MEMBRANE
6125 (180 mil STD. ASMBLY.)
HYDROFLEX 10 OR OTHER
APPROVED PROTECTION



B NO SAW CUT



**Monolithic
Membrane
6125-FR**
ROOFING SYSTEMS

AMERICAN HYDROTECH, INC.

PRECAST PLANK DECK W/TOP SLAB
FOR STANDARD 180 MIL ASSEMBLY

SCALE: NONE
DATE: 12/01/17

R-4B