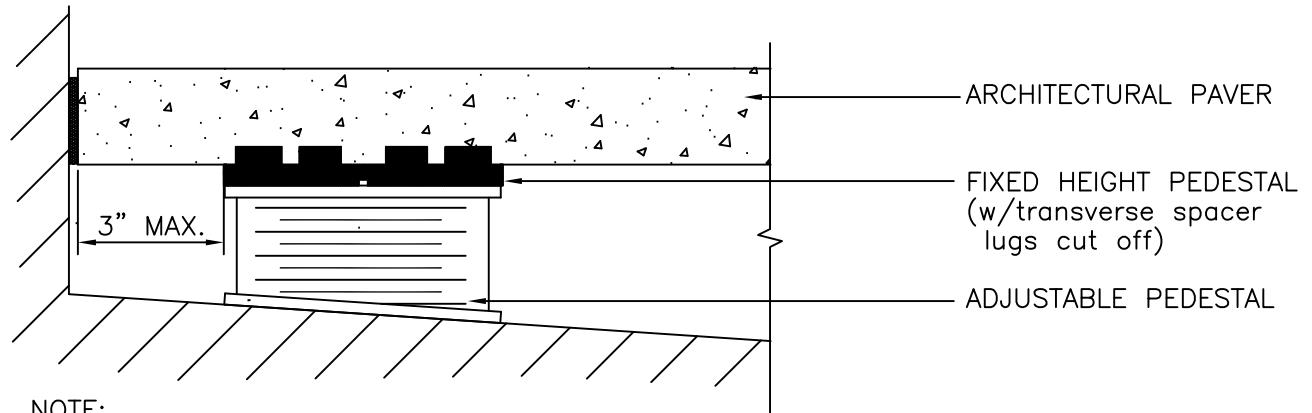


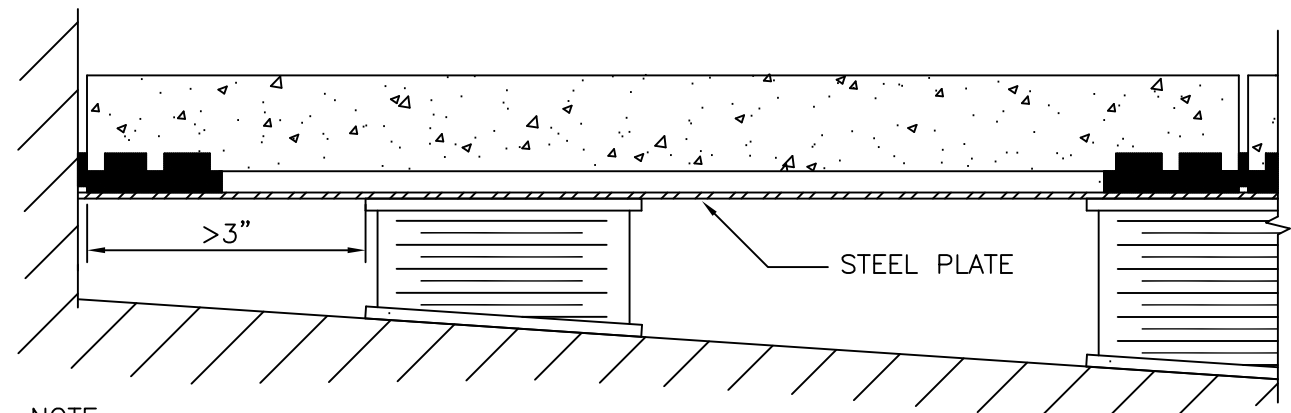
NOTE:

AT TYPICAL TERMINATION POINTS, THE ADJUSTABLE PEDESTALS ARE PLACED SUCH THAT 1/2 OF A FIXED HEIGHT PED. MAY BE BUTTED UP TO THE STRUCTURE (curb, wall, etc.).



NOTE:

IF NECESSARY, THE PAVER MAY BE CANTILEVERED OUT PAST THE LAST ROW OF SUPPORTS. THE CANTILEVER SHOULD NOT EXCEED 3" W/O ADDITIONAL SUPPORT. PROPER EXPANSION/BUFFER MATERIAL SHOULD BE PLACED BETWEEN PAVER AND FLASHING.



NOTE:

WHEN THE LAST PAVER NEEDS TO CANTILEVER > 3", A STEEL PLATE, 5" X 26" X 3/8", SHOULD BE LAID TO BRIDGE BETWEEN THE LAST 2 ADJUST. PED. FIXED HEIGHT PEDS. ARE THEN PLACED ON TOP OF THE STEEL PLATE TO SUPPORT AND SPACE THE PAVERS. THE HEIGHT OF THE LAST 2 ROWS OF ADJUST. PEDS. NEEDS TO BE LOWERED, BY THE THICKNESS OF THE STEEL PLATE.



AMERICAN HYDROTECH, INC.

CANTILEVERED TERMINATION

NO SCALE

UA-4